

THIS DRAWING IS UNPUBLISHED.

RELEASED FOR PUBLICATION

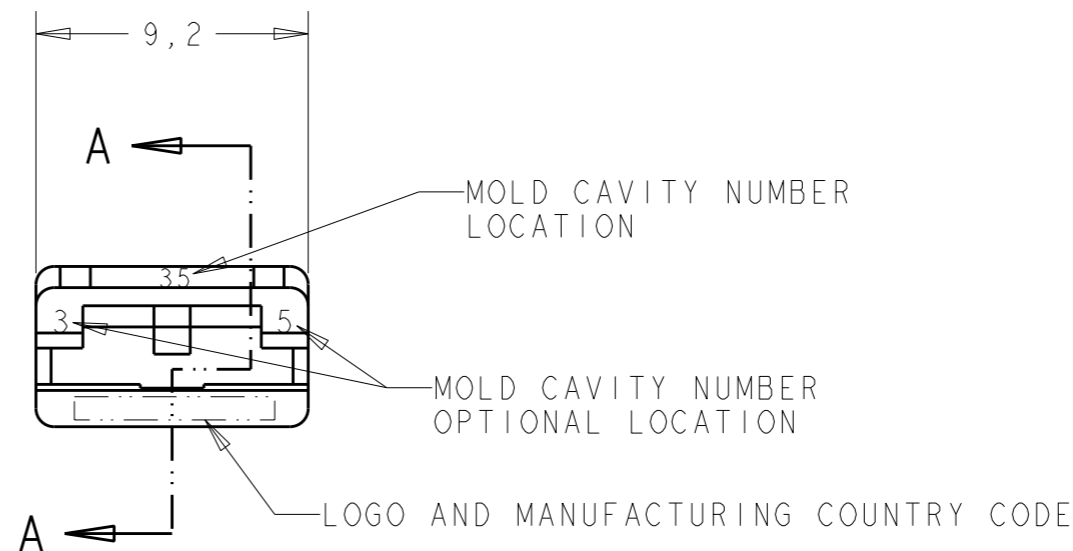
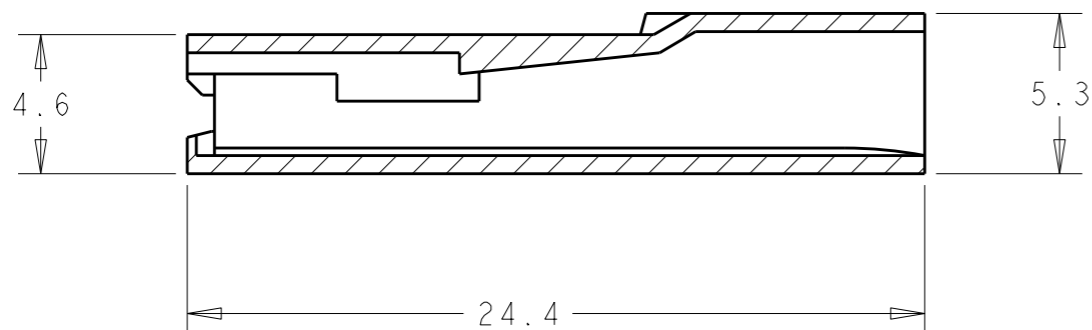
1998

© COPYRIGHT 1998

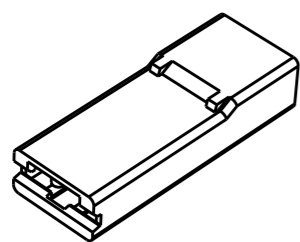
ALL RIGHTS RESERVED.

LOC	DIST	REVISIONS				
P	LTR	DESCRIPTION	DATE	DWN	APVD	
AP	-	V7	REDRAW ECO-12-009353	07DEC2012	HC	WLS

SECTION A-A
SCALE 4:1



- ① - PA 6.6 ACCORDING TO SPEC. IEC 60335-1 GWT 750°C WITHOUT FLAME.
- ② - PA 6.6 94 V-2 THERMO STABILIZED.
- ③ - PACKAGING QUANTITY: 15000 PIECES IN A BOX.
- ④ - PAKAGING: 25 PLASTIC BAGS WITH 300 PIECES EACH IN A BOX. TOTAL 7500 PIECES/BOX



NEGRO/BLACK	POLYAMIDE 6/6 V-2	8-735075-2	④
NEGRO/BLACK	POLYAMIDE 6/6 V-2	8-735075-1	②
NATURAL/CLEAR	POLYAMIDE 6/6 V-0	8-735075-0	①
NATURAL/CLEAR	POLYAMIDE 6/6 V-0	6-735075-0	
NATURAL/CLEAR	POLYAMIDE 6/6 V-0	2-735075-6	③
NEGRO/BLACK	PA 6.6 V-2	1-735075-5	
AMARELO/YELLOW		1-735075-4	
AZUL/BLUE		1-735075-3	
VERMELHO/RED		1-735075-1	
NATURAL/CLEAR		1-735075-0	
NEGRO/BLACK	POLIPROPILENO/POLYPROPYLENE	735075-5	
VERDE/GREEN		735075-2	③
VERMELHO/RED		735075-1	③
NATURAL/CLEAR		735075-0	
COR/COLOR	MATERIAL	PART NUMBER	

THIS DRAWING IS A CONTROLLED DOCUMENT.		DWN	06DEC2012		STE TE Connectivity
		CHK	07DEC2012		
		APVD	-		
		NAME	POST INSULATION FASTON 6,35 mm. HSG.		
DIMENSIONS: mm		TOLERANCES UNLESS OTHERWISE SPECIFIED:		PRODUCT SPEC 108-22033	
		0 PLC ± 1 PLC ± 2 H/C ±GENERAL 3 PLC ±TOLERANCES 4 PLC ± ±0.3 ANGLES ±1		APPLICATION SPEC -	
MATERIAL SEE TABLE		FINISH SEE TABLE		WEIGHT -	
		CUSTOMER DRAWING		SIZE	RESTRICTED TO
				A300779	-
				C=735075	
				SCALE -	SHEET 1 OF 1
				REV	V7